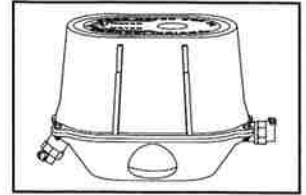


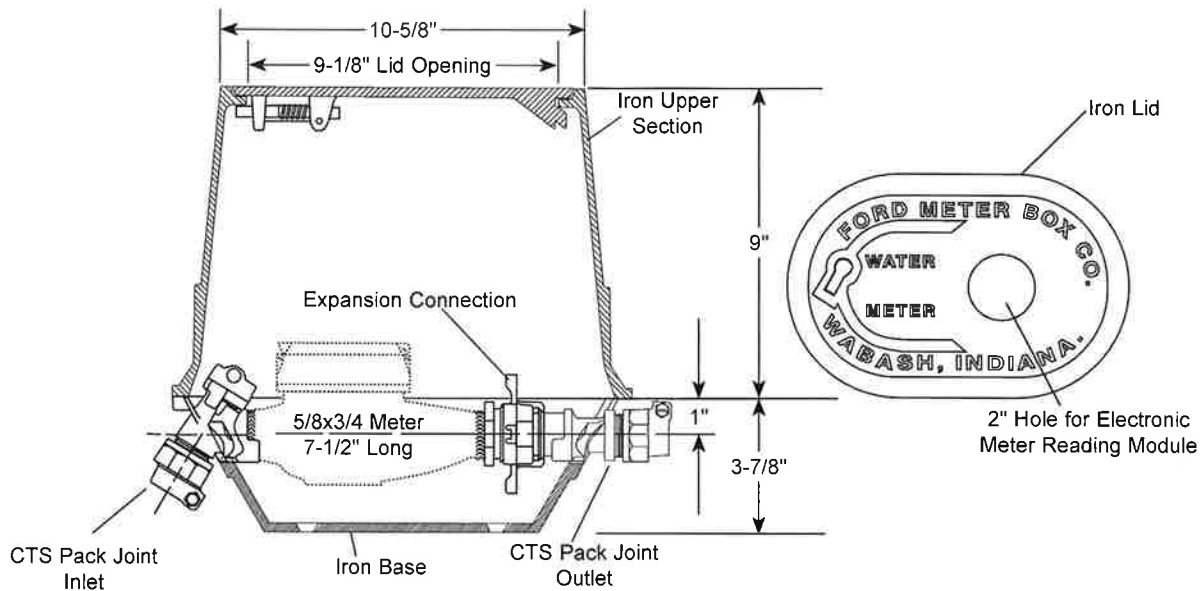
SUBMITTAL INFORMATION

Yokebox - (YM244-2xx-T-NL style)



PACK JOINT FOR COPPER OR PLASTIC TUBING (CTS) INLET AND OUTLET

ANGLE KEY VALVE BY STRAIGHT OUTLET



METER SIZE	CTS P.J. INLET	CTS P.J. OUTLET	APPROX. WT. LBS.	CATALOG NUMBER	✓ SUBMITTED ITEM(S)
5/8" x 3/4"	3/4"	3/4"	35.0	YM244-233-T-NL	
	1"	3/4"	35.0	YM244-243-T-NL	

FEATURES

- All brass that comes in contact with potable water conforms to AWWA Standard C800 (ASTM B584, UNS C89833)
- The product has the letters "NL" cast into the main body for lead-free identification
- Brass components that do not come in contact with potable water conform to AWWA Standard C800 (ASTM B62 and ASTM B584, UNS C83600, 85-5-5-5)
- Base and upper Section are cast iron per ASTM A48, Class 25 with black e-coat finish
- The brass end fittings are permanently and properly spaced and aligned for the meter
- Locking Lid has a 2" precast hole for an electronic meter reading module
- Lockless Lid is available. Add "-LL" to Catalog Number

The Ford Meter Box Company considers the information in this submittal form to be correct at the time of publication. Item and option availability, including specifications, are subject to change without notice. Please verify that your product information is current.



The Ford Meter Box Company, Inc.

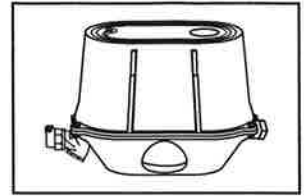
P.O. Box 443, Wabash, Indiana U.S.A. 46992-0443
 Phone: 260-563-3171 / Fax: 800-826-3487
 Overseas Fax: 260-563-0167
 www.fordmeterbox.com

01/28/16

Submitted By:

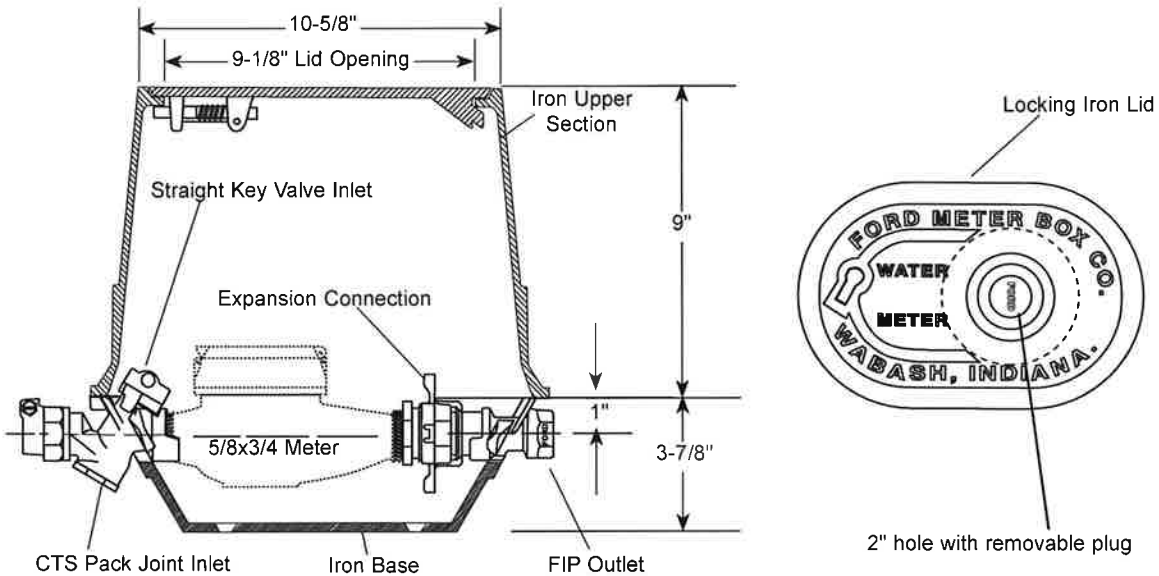
SUBMITTAL INFORMATION

Yokebox - (YM141-2xx-TP-NL style)



PACK JOINT FOR COPPER OR PLASTIC TUBING (CTS) INLET BY
FEMALE IRON PIPE THREAD OUTLET

STRAIGHT KEY VALVE BY STRAIGHT OUTLET



METER SIZE	CTS PJ INLET	FIP OUTLET	APPROX. Wt. LBS.	CATALOG NUMBER	✓ SUBMITTED ITEM(S)
5/8" x 3/4"	3/4"	3/4"	35.0	YM141-233-TP-NL	
	1"	3/4"	35.0	YM141-243-TP-NL	

Note: Ford recommends using insert stiffeners with plastic pipe or tubing

FEATURES

- All brass that comes in contact with potable water conforms to AWWA Standard C800 (UNS NO C89833)
- The product has the letters "NL" cast into the main body for proper identification
- Brass components that do not come in contact with potable water conform to AWWA Standard C800 (ASTM B-62 and ASTM B-584, UNS NO C83600 - 85-5-5-5)
- Base, upper section and lid are cast iron per ASTM A48, Class 25
- The brass end fittings are permanently and properly spaced and aligned for the meter
- Finish is black E-coating
- Locking lid is standard
- Lockless lid is available; add "-LL" to catalog number

The Ford Meter Box Company considers the information in this submittal form to be correct at the time of publication. Item and option availability, including specifications, are subject to change without notice. Please verify that your product information is current.



The Ford Meter Box Company, Inc.

P.O. Box 443, Wabash, Indiana U.S.A. 46992-0443
Phone: 260-563-3171 / Fax: 800-826-3487
Overseas Fax: 260-563-0167
<http://www.fordmeterbox.com>

02/14/13

Submitted By: